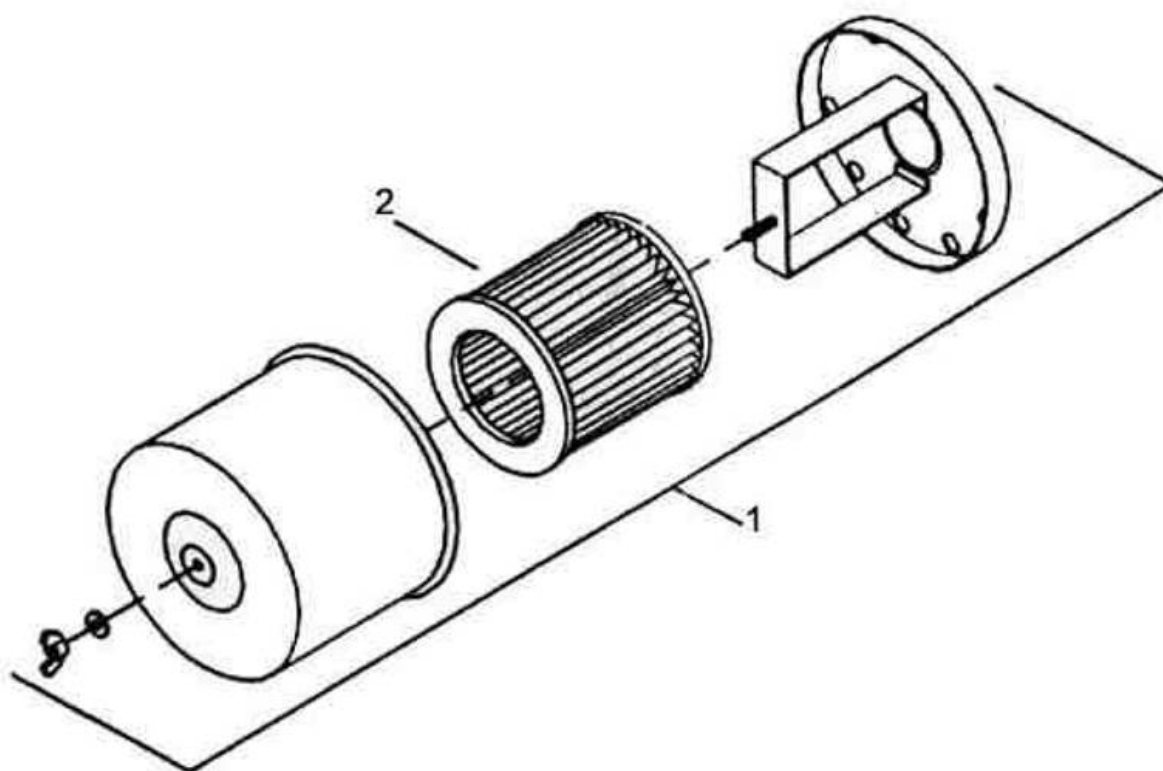


1. Inlet Filter Assembly - Model 7T2



All manufacturer's names, numbers, photos, product description and/or part numbers are used for reference purposes only & it is not implied that any part listed is the product of these manufacturers. Since Approvement are made from time to time, the illustration and specifications are subject to change without notice.

1. Inlet Filter Assembly - Model 7T2

| Ref. No. | Component Part Number | Description | Qty. per Assly. | Spares | | |
|----------|-----------------------|-----------------------------|-----------------|--------|---|---|
| | | | | 1 | 2 | 3 |
| 1-1 | 32109779 | Filter-Inlet Complete | 1 | | | |
| 1-2 | 32012957 | Element, Filter - 10 Micron | 1 | 1 | 1 | 1 |